

# 06920GA (旧BM6920)

 $\Phi 69X20^L$ 

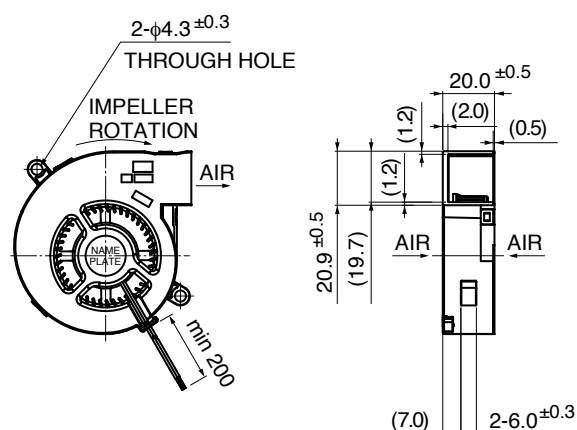
## DC Blower Fan



### General Specifications

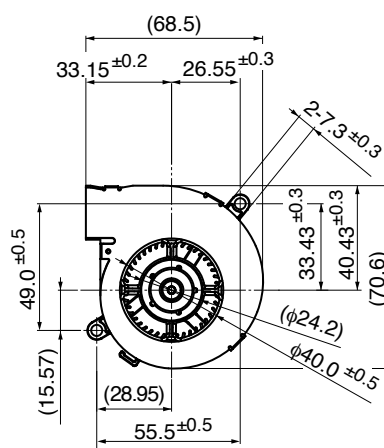
Motor Protection	Auto Restart / Polarity Protection
Insulation Resistance	10M $\Omega$ or over with a DC500V Megger
Dielectric Withstand Voltage	AC700V 1s
Allowable Ambient Temperature Range	- 10°C ~ + 70°C (Operating) - 40°C ~ + 70°C (Storage) non-condensing environment

### Outline

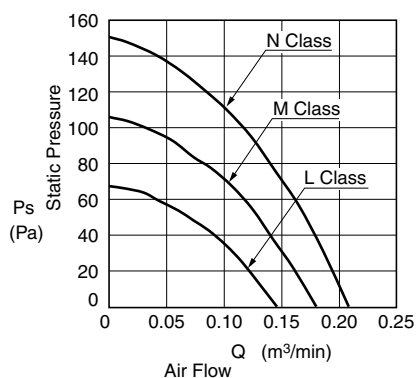


### Expected Life ※ Failure Rate: 10% (L10 Life)

25°C 70,000 (Hours)



### Characteristic Curves



### Material

Casing Lower	: Plastic (Black) UL94V-0
Casing Upper	: Steel
Impeller	: Plastic (Black) UL94V-0
Bearing	: Ball Bearing
Lead Wire	: UL1061 AWG26 + : Red, - : Black

### Specifications

Model	Product No.	Rating Voltage	Operating Voltage	Current	Input Power	Speed	Max. Air Flow		Max. Static Pressure	Noise	Mass	
		(V)	(V)				(m <sup>3</sup> /min) <sup>*1</sup>	(CFM) <sup>*1</sup>	(Pa) <sup>*1</sup>			(In H <sub>2</sub> O) <sup>*1</sup>
06920GA-12L-AA-	00	12	6.5 ~ 13.8	0.09	1.08	2900	0.14	4.9	66.0	0.26	23	55
06920GA-12M-AA-	00			0.15	1.80	3500	0.17	6.0	100.0	0.40	29	
06920GA-12N-AA-	00			0.25	3.00	4100	0.20	7.1	150.0	0.60	33	
06920GA-24L-AA-	00	24	12.0 ~ 26.4	0.05	1.20	2900	0.14	4.9	64.0	0.26	23	
06920GA-24M-AA-	00			0.08	1.92	3500	0.17	6.0	100.0	0.40	29	
06920GA-24N-AA-	00			0.13	3.12	4100	0.20	7.1	150.0	0.60	33	

Rotation: Clockwise as seen from the label side

\*1: Average Values in Free Air